

REFRACTION UNIT TRU-800

SMART REFRACTION UNIT

DELIGHT IN SIGHT

Clever solution. Space saving.



- Easy to install (right or left)
- Low shipment costs
- Space saving (1.08 m²)
- Including chair SC-1000
- Magnetic table lock
- Timeless and modern design

 **TOMEY**
TECHNOLOGY AND VISION

THE TOMEY REFRACTION UNIT TRU-800

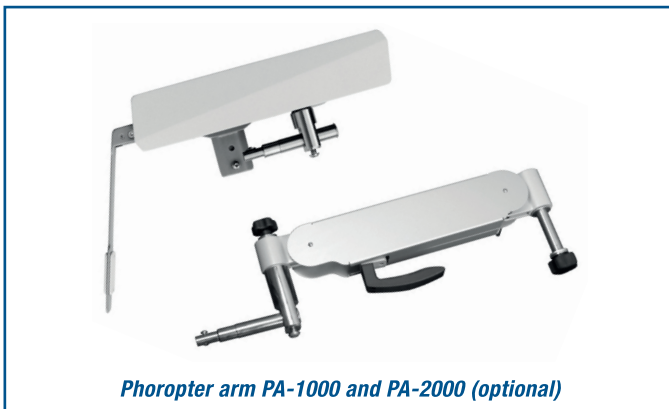


QUALITY IN DETAIL

Perfect if you need a tiny and clever solution for your refraction environment. Due to its much smaller size it even fits into very small rooms. It's very easy to attach all essential instruments such as a phoropter and a chart projector to the **TRU-800**. If you want to store hand-held units or trial lenses – the optional trial lens cabinet TC-1000 suits perfectly.



Rotatable control board panel



Phoropter arm PA-1000 and PA-2000 (optional)



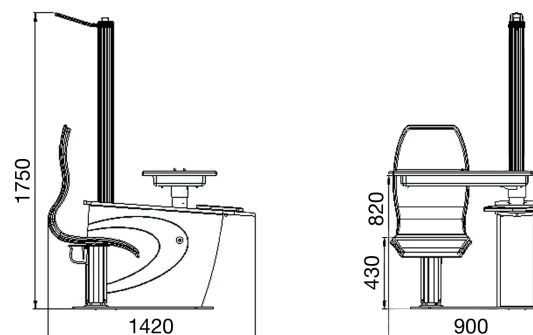
Trial lens cabinet TC-1000 (optional)

SPECIFICATIONS

Seat height	43 cm (SC-1000)
Seat elevation	43-58 cm
Nominal lifting capacity	max. 120 kg
Projector column height	175 cm
Overhead light	white LED 3.5 V
Table plate	44 x 87 cm
Table lock	magnetic
Table height	81 cm
Weight	approx. 190 kg
Power consumption	150 VA
Power supply	110V or 230V AC
Connectors	2 x power outlet (230V), 1 x 6-pin (6V/12V)

Optionals:
Phoropter arm, trial lens cabinet 61 x 61 x 79 cm (WDH),
ophthalmoscope holder

DIMENSIONS



2017/08 - subject to change without notice



TOMEY EUROPE
TOMEY GmbH
Wiesbadener Straße 21
90427 Nürnberg, Germany
Phone +49 911 938 546 2 0
Fax +49 911 938 546 2 20
Email info@tomey.de

TOMEY ASIA-PACIFIC
TOMEY CORPORATION JAPAN
2-11-33 Noritakeshinmachi
Nishi-ku, Nagoya 451-0051, Japan
Phone +81 52 581 5327
Fax +81 52 561 4735
Email intl@tomey.co.jp

TOMEY
TECHNOLOGY AND VISION

www.tomey.de