

# MS-39

**INSTRUCTIONS FOR USE**

# AS-OCT



COSTRUZIONE STRUMENTI OFTALMICI

Via degli Stagnacci 12/E | 50018 Scandicci (FI) | ITALY  
phone: +39 055 722191 | fax: +39 055 721557

[cso@csoitalia.it](mailto:cso@csoitalia.it) | [www.csoitalia.it](http://www.csoitalia.it)

IFU302EN00 - 03/2019





<b>1</b>	<b>INTRODUCTION</b> .....	<b>3</b>
1.1	SYMBOLS .....	3
1.1.1	<i>Device symbols</i> .....	4
1.2	GENERAL WARNINGS .....	4
1.3	NORMATIVE REFERENCES .....	5
1.3.1	<i>Community directives</i> .....	5
1.3.2	<i>Technical standards</i> .....	5
1.3.3	<i>Quality management systems standards</i> .....	5
1.4	WARRANTY .....	6
1.5	MANUFACTURER IDENTIFICATION .....	7
<b>2</b>	<b>SAFETY</b> .....	<b>8</b>
2.1	SAFETY WARNINGS .....	8
2.2	DEVICE IDENTIFICATION .....	10
2.2.1	<i>Registration data in the Medical Devices List</i> .....	10
2.2.2	<i>Device data plate</i> .....	10
2.2.3	<i>Power supply data plate</i> .....	11
2.3	INTENDED USE .....	12
2.4	MEDICAL DEVICES CLASSIFICATION .....	17
2.5	MEDICAL ELECTRICAL DEVICES CLASSIFICATION .....	18
2.6	ENVIRONMENTAL CONDITIONS .....	18
2.7	DISPOSAL AT THE END THE USEFUL LIFE .....	19
2.8	MANUFACTURER DECLARATIONS .....	21
2.8.1	<i>Electromagnetic emissions</i> .....	21
<b>3</b>	<b>DEVICE DESCRIPTION</b> .....	<b>24</b>
3.1	PROVISION DESCRIPTION .....	24
3.1.1	<i>Device MS -39 AS-OCT</i> .....	26
3.1.2	<i>Power supply unit</i> .....	27
3.1.3	<i>Chin rest</i> .....	28
3.1.4	<i>Ophthalmic table</i> .....	29
3.1.5	<i>Personal Computer</i> .....	30
3.2	TECHNICAL DATA .....	31
<b>4</b>	<b>DEVICE USE</b> .....	<b>33</b>
4.1	HOW TO INSTALL THE DEVICE .....	33
4.2	HOW TO CONNECT THE DEVICE .....	37
4.3	HOW TO PLACE ELECTRIC CABLES .....	38
4.4	HOW TO TURN ON THE DEVICE .....	39
4.5	HOW TO ADJUST THE CHIN REST .....	40
4.6	HOW TO CAPTURE THE IMAGE .....	42
4.7	HOW TO CHANGE THE CHIN CUP PAPERS .....	44
4.8	HOW TO TURN OFF THE DEVICE .....	45
<b>5</b>	<b>ORDINARY MAINTENANCE</b> .....	<b>46</b>



---

5.1	SAFETY WARNINGS .....	46
5.2	DEVICE CLEANING .....	46
5.3	SPARE PARTS AND ACCESSORIES LIST .....	47
5.4	TROUBLESHOOTING .....	48











# 1 INTRODUCTION

The device is the result of a long research period, conducted by experts to give the product technical innovation, quality and design. The device can be easily used thanks to the guided manual capture and the electronic control of all the functions of the device.

## 1.1 SYMBOLS



Within the instructions for use, on the package or on the device, there can be the following symbols:

Symbol	Meaning
	Caution
	Danger of electric shock
	Read the instructions for use
	General obligation
	Note. Useful information for the user
	General prohibition sign
	Manufacturer
	CE Marking (Directive 93/42/EEC) Identification number of the notified body (IMQ)



Waste disposal in compliance with the Directive 2012/19/EU (WEEE), and 2011/65/EU (RoHS II)

### 1.1.1 DEVICE SYMBOLS

Symbol	Meaning
	Type B applied part
	Class II device

## 1.2 GENERAL WARNINGS

THESE INSTRUCTIONS FOR USE REFER TO THE DEVICE AS-OCT MODEL MS-39 ("DEVICE" FROM NOW ON).

THE ORIGINAL TEXT IS IN ITALIAN.



Before using the device or if you don't use it since a long time, read these instructions carefully. Read the instructions given in the instructions manual and reported on the device.



Keep this manual close by for future consultation. If you should decide to sell this appliance to other people, remember to also include these instructions, complete and readable



Keep the original box and packaging, as the free-of-charge service does not cover any damage resulting from inadequate packaging of the product when this is sent back to an Authorized Service Centre.



Verify the presence of damage signs on the device caused by the transport/storage, before using the device.



It is forbidden to reproduce, totally or partially, texts or images contained in these instructions for use without the written authorization of the Manufacturer.



The Manufacturer reserves himself the right to modify the contents of the instructions for use, without notice.

## **1.3 NORMATIVE REFERENCES**

### **1.3.1 COMMUNITY DIRECTIVES**

- Directive 93/42/EEC and subsequent modifications and integrations concerning medical devices
- Directive 2012/19/EU on waste electrical and electronic equipment (WEEE)

### **1.3.2 TECHNICAL STANDARDS**

- IEC 60601-1: 2005 + A1:2012 - Medical electrical equipment - Part 1: General requirements for basic safety and essential performance
- EC 60601-1-2:2014 Edition 4 - Collateral Standard: Electromagnetic disturbances - Requirements and tests
- UNI EN ISO 15004-1:2009 Ophthalmic Instruments. Fundamental requirements and test methods - Part 1: General requirements applicable to all ophthalmic devices
- UNI EN ISO 15004-2:2007 Ophthalmic Instruments. Fundamental requirements and test methods - Part 2: Light hazard protection.
- UNI CEI EN ISO 14971:2012 Medical devices. Application of risk management to medical devices.
- UNI EN ISO 19980:2012 - Ophthalmic instruments - Corneal topographers

### **1.3.3 QUALITY MANAGEMENT SYSTEMS STANDARDS**

- UNI CEI EN ISO 13485:2016 “Medical devices. Quality management systems - Requirements for regulatory purposes”.

## 1.4 WARRANTY

The Manufacturer is responsible for the device conformity to the Community directive 93/42/EEC as amended by the 2007/47/EC for:

- features
- safety and reliability
- CE marking

The Manufacturer refuses any responsibility for:

- installation and activation not activated in conformity to the indications and the precautions reported in the instructions for use
- use not in compliance with the instructions for use and precautions reported in the instructions for use
- use of accessories or spare parts not provided or suggested by the Manufacturer
- repairs and safety controls not effectuated by expert, qualified, trained and personnel authorized by the Manufacturer
- electrical system of the space where the device is installed not in compliance with the technical standards, the laws and regulations in effect in the country of installation of the device
- direct or indirect consequences or damages to objects or persons, originating from the improper use of the device or erroneous clinical analysis originating from its use

The Manufacturer guarantees the device for 24 months after invoicing. The Warranty includes the substitution, at the Manufacturer's or an Authorized Service Centre, of components and materials and the relative labour. The shipping and transport fees are to be paid by the client.

The warranty does not cover:

- repairs of faults originating from natural disasters, mechanical shocks (fall, hit, etc), electrical system faults, negligence, improper use, maintenance or reparations carried out with non-original materials
- any other improper use or not intended by the Manufacturer
- damages caused by service lack or inefficiency, originating by causes or circumstances out of the Manufacturers control



- the parts subject to usage and/or deterioration originating from the normal use and those that might be broken because of an improper use or maintenance carried out by personnel non-authorized by the Manufacturer.

To ask maintenance interventions or to have technical information about the device, address to an Authorized Service Centre or directly to the device Manufacturer.



The client will not be refunded for damages originating from the device halt.

## 1.5 MANUFACTURER IDENTIFICATION

CSO S.r.l.

Costruzione Strumenti Oftalmici

Via degli Stagnacci, 12/E

50018 - Scandicci (FI) - ITALY

phone: +39-055-722191 - fax +39-055-721557

[cso@csoitalia.it](mailto:cso@csoitalia.it)

[www.csoitalia.it](http://www.csoitalia.it)

## 2 SAFETY

### 2.1 SAFETY WARNINGS

**DANGER**

Electric shock danger. Do not let water fall on the device. Do not immerse the device in water or other liquids.

**DANGER**

Electric shock danger. If the power cables are damaged, they must be replaced in an Authorized Service Centre to prevent any risk.

**DANGER**

Electric shock danger. Unplug the power cable from the mains socket before disinfecting the device and before any maintenance operation.

**CAUTION**

Do not use the device if visibly damaged. Periodically inspect the device and the connection cables to verify if there are damage signs.

**CAUTION**

Always keep the device out of the reach of children.

**CAUTION**

Danger of device falling down. Do not leave free cables which can represent an obstacle or a danger for the patient or the operator.

**CAUTION**

Danger of stumbling and falling. Do not let the power cord or the connection cables free in a place where people could walk.

**CAUTION**

Electric shock risk. Do not touch the power supply cables with wet hands.

**CAUTION**

Electric shock risk. Do not leave the power supply cables in contact with sharp corners or objects. Collect and attach always the power supply cables.

**CAUTION**

If you notice a wired odour or smoke coming out of the device or if it emanates heat, turn it off immediately. Do not keep using a damaged product or a damaged part. Danger of injuries.

**CAUTION**

The electrical net must have a Residual-Current Circuit Breaker ( $I_{\Delta n}=30\text{mA}$ ) Thermal-Magnetic Circuit Breaker ( $V_n=230\text{V}$ ) to protect the device. Place the device in such a way that the power socket is easily accessible.



It is forbidden to carry out any technical operation on the device that is not recalled or described in these instructions for use.



It is forbidden to place the device in humid, dusty places or environments subject to sudden temperature and humidity variations.



It is forbidden to use any extension cable not authorized by the manufacturer.



It is forbidden to use the device outdoors.



The device does not generate and does not receive any electromagnetic interference if it is placed near other electrical appliances. No preventive or corrective actions are required.

## 2.2 DEVICE IDENTIFICATION

### 2.2.1 REGISTRATION DATA IN THE MEDICAL DEVICES LIST

The device registration data can be verified on the Ministero della Salute website at this page:

[Ministero della Salute - Ricerca dispositivi](#)

### 2.2.2 DEVICE DATA PLATE

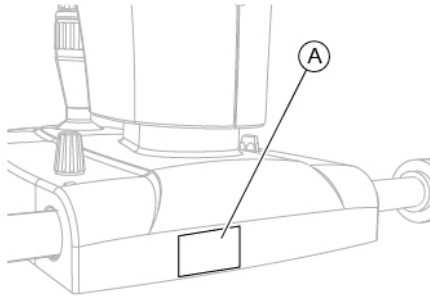


Fig 1 - Plates position

Pos	Description
A	Device data plate



Fig 2 - Device data plate

### 2.2.3 POWER SUPPLY DATA PLATE



Fig 3 - Power supply PSP2404 data plate

## 2.3 INTENDED USE

MS-39 AS-OCT is a medical device used in the ophthalmological diagnosis to perform the analysis of the anterior segment of the eye. In a single structure, it combines corneal topography with Placido's disk and OCT-based anterior segment tomography.

The device has been designed for the screening, the capture and the processing of 25 clear sectional images, in high resolution over a diameter of 16 mm.

The device provides pachymetry data, elevation, curvature and power information of both corneal surfaces.

Additional satellite exams allow an accurate pupil diameter measurement in scotopic, mesopic, photopic conditions and in dynamic mode and their integration with corneal map.

On the basis of the pachymetry map and corneal elevation data, the device allows the intrastromal rings system planning, for the correction of refractive defects and some forms of keratoconus.

The device allows the glaucoma screening and gives the measurement of irido-corneal angles and pachymetry. These values, and the most common IOP correction formulas are useful to diagnose some diseases which can be due to the conformation of the anterior chamber.

### **Corneal topography and tomography of the anterior segment**

The device provides information on pachymetry, elevation, curvature and dioptric power of both corneal surfaces over a diameter of 10 mm.

All biometric measurements of the anterior chamber are calculated starting from 25 sections from the cornea over a diameter of 16 mm.

In addition to the clinical diagnostic, the most common fields of application are the refractive and cataract surgery.

## **Pupillography**

The pupillography module is completely integrated with the topography and allows to:

- Perform the pupillometry measurement in scotopic light condition in order to evaluate the maximal pupil extension and the optic zone dimension that has to be set for a treatment.
- Perform the pupillometry measurement in scotopic light condition (0.04 lux).
- Perform the pupillometry measurement in mesopic light condition (4 lux).
- Perform the pupillometry measurement in photopic light condition (50 lux).
- Perform the dynamic pupillometry measurement, starting from 400 lux and turning off the luminous source so that the pupil dilates to its maximal extension.
- Evaluate the pupillary decentralization with respect to the corneal vertex for each of the conditions described above and the pupillary centre deviation during the dilatation.

## **Analysis of the tear film**

The Placido's disk allows the advanced analysis of the tear film and the evaluation of the NI-BUT (Non-Invasive Break-up Time).

## **IOL calculation module**

It is available an IOL calculation module based on Ray-Tracing techniques which, regardless of the clinical status of the cornea, provides the values of the spherical and toric power of the intraocular lens. This allows the planning of the corneal surgery for refractive defects, either photoablative and by means of intraocular lens implants.

## **Corneal aberrometry**

The device allows to perform the analysis of the corneal aberrometry. It is possible to select the anterior, posterior or total corneal contribution for different diameters of the pupil. The OPD/WFE map and the visual simulations (PSF, MTF and image convolution) can help understanding and explaining the patient's visual discomfort.

## **Biometry of the crystalline**

In order to more accurately determine the ELEP, and consequently to refine the intra-ocular lens calculation, the device provides a capture mode to measure the crystalline lens thickness, its distance from the cornea and its equator.

## **Glaucoma screening**

The device allows the glaucoma screening and gives the measurement of irido-corneal angles AOD, TISA and corneal pachymetry. These values, and the most common IOP correction formulas are useful to diagnose some diseases which can be due to the conformation of the anterior chamber.

## **Keratoconus screening**

An efficient keratoconus screening system, clinically validated, based on a self-learning system, provides suggestions on the risk underlining the cases which have a greater possibility of complications.

## **Dry Eye Report**

The Dry Eye Report provides a general evaluation of the patient's clinical conditions, aimed at diagnosing tear film dysfunctions. The evaluation is based on:

- Ocular Surface Disease Index (OSDI)
- analysis of the redness of the eye
- Analysis of Meibomian glands
- Tear meniscus analysis
- NiBUT.



## More features of the device with the application software

The device, with the application software allows:

- guided manual capture
- management of the patients' data and possibility to personalize researches and statistics
- measurements and evaluations of the sagittal and tangential curvature of the cornea, both for the anterior and posterior surfaces.
- maps visualization: pachymetry, refractive power (anterior, posterior and total), elevation (anterior and posterior) and depth of the anterior chamber, epithelial map
- maps summaries
- analysis of the anterior segment aberrations
- analysis of the differential maps
- advanced editing system of the rings which allows to modify the position of the edges in order to provide a proper reconstruction even on distorted surfaces.
- availability of the following maps: sagittal curvature map, tangential curvature map, elevation, refractive power, Gaussian curvature map, corneal thickness.
- screens an summaries which allow to personalize the device depending on the user's needs:
  - four maps summary
  - single map screen
  - keratoconus summary
  - six maps summary
  - advanced altimetry and Zernike summary
  - corneal wavefront analysis with setting of the pupil, it includes the maps of the most common aberrations
  - corneal wavefront analysis with summary of visual quality referred to the anterior corneal face with PSF, Spot Diagram, MTF and vision simulation for the analysed wavefront

- tools for the follow-up control with differential maps with 2 or 3 elements
- tools for the follow-up control with comparison between 4 different maps
- a wide series of concise descriptors of the features of the cornea, such as:
  - Sim-K to simulate the measurement of an ophthalmoscope with fixed targets (for the anterior surface)
  - principal corneal meridians in the zones of 3 mm, 5 mm and 7 mm
  - flatter and steeper hemi meridians in the zones of 3 mm, 5 mm and 7 mm
  - peripheral degrees
  - pupil decentralization, pupil diameter, and corneal diameter size
  - keratorefractive indices calculated in the pupil area for an evaluation of the patient's visual quality
  - keratoconus screening index for diagnosis and follow-up
- Dry Eye Report



For system requirements read paragraph "**Personal Computer**" at **page 30**.



The device must be only used by specialist practitioners and operators (such as optometrists), within the limits of the law and the regulations for the exercise of the profession.



Patient area: any volume in which intentional or unintentional contact can occur between patient and parts of the system or between patient and other persons touching parts of the system.

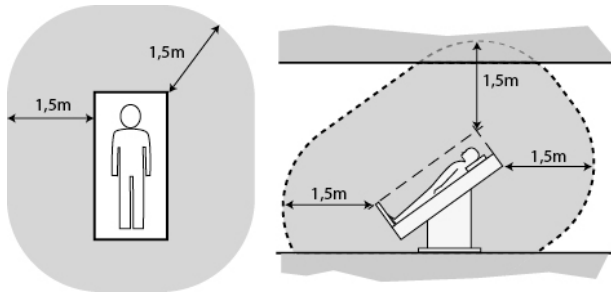


Fig 4 - Patient area

## 2.4 MEDICAL DEVICES CLASSIFICATION

Technical data	Value
Classification in compliance with the attached IX to the Directive 93/42/EEC and subsequent modifications	Class IIa

## 2.5 MEDICAL ELECTRICAL DEVICES CLASSIFICATION

Classification in compliance with the technical specification EN 60601-1:2005 + A1:2012

Technical data	Value
Type of protection against the direct and indirect contacts	Class II
Applied parts	Type B
Protection degree against humidity	IP20 (no protection against liquid infiltration)
Sterilization or disinfection method	This device can be disinfected
Protection degree in presence of anaesthetics or inflammable detergents	No protection
Electrical connection degree between device and patient	Appliances with part applied on the patient
Use conditions	Continuous functioning

## 2.6 ENVIRONMENTAL CONDITIONS

Phase	Technical data	Min	Max
Transport	Temperature	-40°C	+70°C
	Atmospheric pressure	500 hPa	1060 hPa
	Relative humidity	10%	95%
Storage	Temperature	-10°C	+55°C
	Atmospheric pressure	700 hPa	1060 hPa
	Relative humidity	10%	95%
Use	Temperature	+10°C	+35°C
	Atmospheric pressure	800 hPa	1060 hPa
	Relative humidity	30%	90%



### CAUTION

Danger of device damages. During transport and storage, the device can be exposed to the environmental conditions for a maximum period of 15 weeks, only if kept in the original packaging.

## 2.7 DISPOSAL AT THE END THE USEFUL LIFE



Instruction for disposal of product correctly according to European Directive 2012/19/EU, and 2011/65/EU about the reduction of use of dangerous substances in the electrical and electronic equipment, and waste disposal.

At the end of its useful life, the device must not be disposed of as urban waste. The device can be delivered to the appropriate separate waste collection centres set up by municipal administrations or to retailers that offer this service. Separately disposing an electrical device prevents possible negative consequences for the environment and health caused by its improper disposal and lets the materials it is made of to be recycled so as to achieve a significant savings of energy and resources. On the label of the device there is the symbol of the of the crossed-out wheeled bin. The graphic symbol of the crossed-out wheeled bin, indicates the obligation to collect and dispose separately the electrical and electronic equipment at the end of their useful life.



The user has to consider the effects potentially dangerous for the environment and the human health originating from an improper disposal of the whole device or its parts.

In case the user wishes to dispose of the device used at the end of its useful life, the Manufacturer facilitates the possibility of its reuse and the recovery and recycling of the materials contained therein. This to prevent the release of hazardous substances into the environment and to promote conservation of natural resources. Before disposing the device, it is necessary to take into consideration the European and national regulations that order what follows:

- not to dispose as urban waste but collect it separately and address to a firm specialized in the disposal of electrical and electronic equipment or to the local administration in charge for waste collection.

- in the event that a new device is purchased from the same Manufacturer to replace an old one placed on the market before 13 August 2005, equivalent and with the same functions of the new device, the Distributor or Manufacturer are legally required to collect the old device.
- if the user decides to dispose a used device, put on the market after the 13th August 2005, the Distributor or the Manufacturer have to collect it.
- the Manufacturer takes care, by joining a consortium for the technological devices waste, of the treatment and the recycling of the used device by paying its costs.



The Manufacturer is available to give the user all the information about the dangerous substances contained in the device, and on the recycling modalities of those substances and about the possibility of a reuse of the used device.

Strict sanctions for transgressors are provided for by law.

For specific information about the disposal in other countries than Italy, contact the local Dealer.

## 2.8 MANUFACTURER DECLARATIONS

### 2.8.1 ELECTROMAGNETIC EMISSIONS

The device is designed to be used in a room with the following electromagnetic characteristics:

Emission test	Compliance	Electromagnetic environment
<b>Radio frequency emission. CISPR 11</b>	Group 1	The device uses radio frequency energy only for its inner functioning. The radio frequency emissions of the device are very low and should not cause interferences with the near appliances.
<b>Radio frequency emission. CISPR 11</b>	Class B	The device can be used in all the environments, included the domestic environment. The device can be connected directly to a low-tension power supply net as there is in the housing units.
<b>Harmonic emissions. IEC 61000-3-2</b>	Class A	The device can be used in all the environments, included the domestic environment. The device can be connected directly to a low-tension power supply net as there is in the housing units.
<b>Limitation of voltage changes, voltage fluctuations and flicker. IEC 61000-3-3</b>	Compliant	The device can be used in all the environments, included the domestic environment. The device can be connected directly to a low-tension power supply net as there is in the housing units.

Immunity test	IEC 60601-1-2 test level	Conformity level	Electromagnetic environment
<b>Electrostatic discharge. IEC 61000-4-2</b>	8kV contact. 2/4/8/15 kV air.	IEC 60601-1-2 Test level	Floors should be wood, concrete or ceramic tile. If the floors are covered with synthetic material the relative humidity should be at least 30%.
<b>Radiated electromagnetic fields. IEC 61000-4-3</b>	3V/m 80 MHz to 2.7 GHz	IEC 60601-1-2 Test level	Portable and mobile RF communication equipment should be used no closer to any part of the device, including cables. Minimum distance 30 cm.
<b>Electrical fast transient/burst. IEC 61000-4-4</b>	2kV for power supply lines. 1kV for input/output lines > 3 m	IEC 60601-1-2 Test level	Mains power quality should be that of a typical commercial or hospital environment.
<b>Surge IEC 61000-4-5</b>	0.5/1kV differential mode 0.5/1kV common mode	IEC 60601-1-2 Test level	Mains power quality should be that of a typical commercial or hospital environment.
<b>Conducted disturbances, induced by RF fields. IEC 61000-4-6</b>	3 V 150 kHz to 80 MHz	IEC 60601-1-2 Test level	Portable and mobile RF communication equipment should be used no closer to any part of the device, including cables. Minimum distance 30 cm.



Immunity test	IEC 60601-1-2 test level	Conformity level	Electromagnetic environment
<b>Voltage dips. Short interruptions and voltage variations on power supply input lines. IEC 61000-4-11</b>	0% Un for 0.5 cycle. 0% Un for 1 cycle. 70% Un for 25 cycles. 0% Un for 5 s	IEC 60601-1-2 Test level	Mains power quality should be that of a typical commercial or hospital environment. If the user of the device requires continued operation during power mains interruptions, it is recommended that the device is powered from an uninterrupted power supply or battery.
<b>Power frequency (50/60Hz) magnetic fields. IEC 61000-4-8</b>	30 A/m	IEC 60601-1-2 Test level	Power frequency of the magnetic fields should be that of a typical commercial or hospital environment.

### 3 DEVICE DESCRIPTION

#### 3.1 PROVISION DESCRIPTION

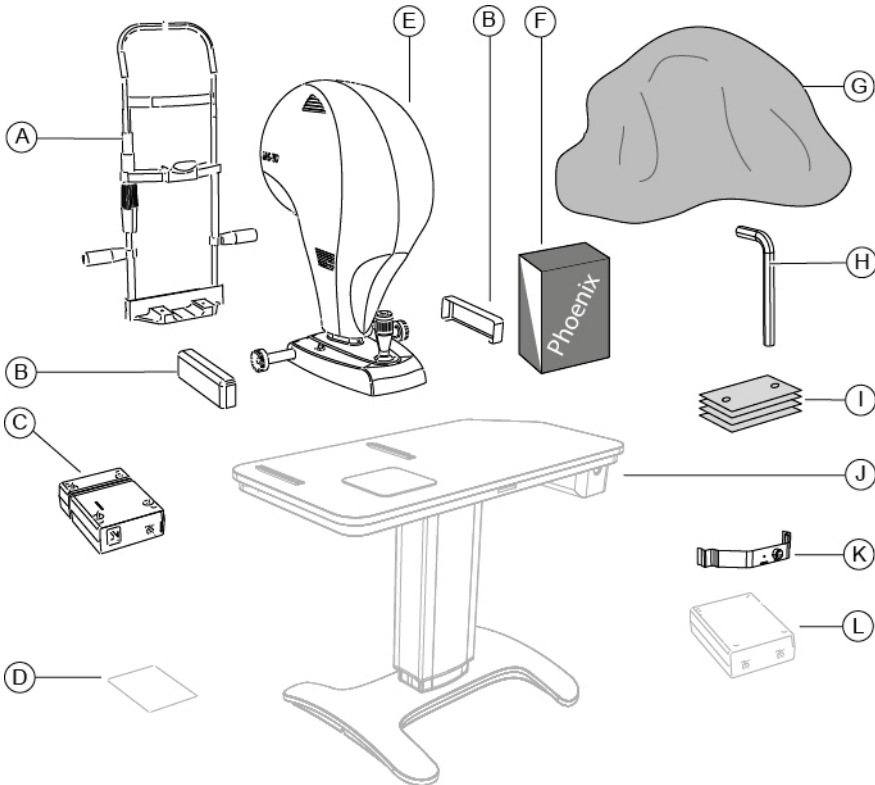


Fig 5 - Supply description



Optional: accessory not provided with the basic supply  
 Accessories marked by (\*) are essential for the proper functioning of the device.

<b>Pos</b>	<b>Denomination</b>		<b>Description</b>
<b>A</b>	Chin rest		Adjustable height Adjustable distance between chin and forehead
<b>B</b>	Protection carter		Protection against accidental hand crushing.
<b>C</b>	Power supply unit		A cable is provided with the power supply unit.
<b>D</b>	Sticker pad	Optional (*)	Sticker for right/left identification.
<b>E</b>	Device AS-OCT model Ms-39		Composed by a camera unit equipped with one or several micro video cameras for capturing the images. USB cable for connection between device and computer.
<b>F</b>	Personal Computer and application Software		Application software for image capture and device management.
<b>G</b>	Protective cover		Place on the device when it is not in use to protect it from dust.
<b>H</b>	Hex wrench with screws		
<b>I</b>	Package of paper for chin cup		Papers to be placed on the chin cup of the chin rest.
<b>J</b>	Ophthalmic table	optional	Adjustable electric support surface with one or two columns. Drawer and auxiliary sockets with fairlead.
<b>K</b>	Calibration rod		
<b>L</b>	Isolation transformer	optional	230V/230V for the use of the non-electro-medical appliances in the patient area.



For the list of accessories and available models, contact the Manufacturer or the local Distributor.

### 3.1.1 DEVICE MS -39 AS-OCT

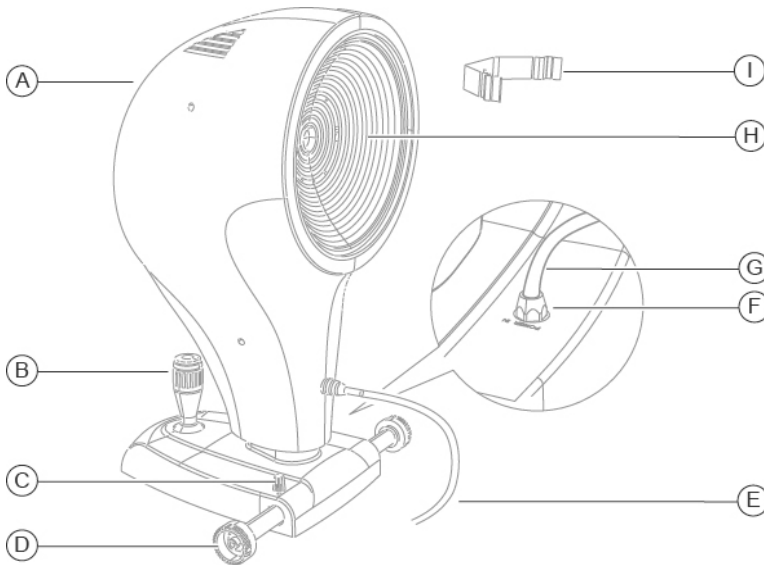


Fig 6 - Device MS-39 AS-OCT

Pos	Description
A	Device MS-39 AS-OCT
B	Joystick
C	Device blocking knob
D	Cogged wheels
E	USB connection cable between device and computer
F	Power port
G	Device power cable
H	Shooting channel
I	Calibration rod

### 3.1.2 POWER SUPPLY UNIT

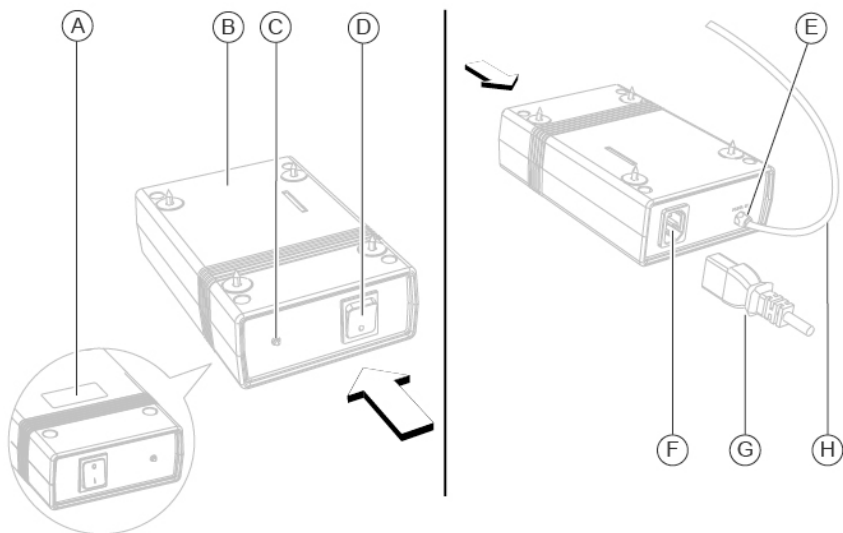


Fig 7 - Power supply

Pos	Description
A	Data plate
B	Power supply unit
C	Supply status control light
D	ON/OFF switch
E	Power supply out connector
F	Power supply mains connector
G	Power supply cable
H	Device power cable

### 3.1.3 CHIN REST

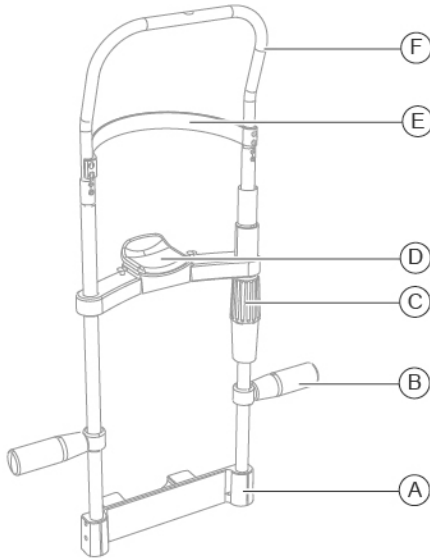


Fig 8 - Chin rest

Pos	Description
A	Chin rest support
B	Handle
C	Chin cup adjustment knob
D	Chin cup
E	Forehead rest
F	Chin rest structure

### 3.1.4 OPHTHALMIC TABLE

Different table models are available accordingly to the client's choice. The electric table is composed by a support surface on which are installed the cogged guides for the device housing. The table has one or two telescopic columns, motorized, that allow to adjust the height of the support plane.



Fig 9 - One column table



Read the instructions for use of the ophthalmic table.

### 3.1.5 PERSONAL COMPUTER

The device must be used in combination with a PC and the application software Phoenix.

Minimum system requirements

- PC: 4 GB RAM - Video Card 1 GB RAM (not shared) resolution 1280 x 960 pixels or higher
- Operating system: Windows XP, Windows 7 and Windows 10 (32/64 bit).



Read the instructions for use of the application software.

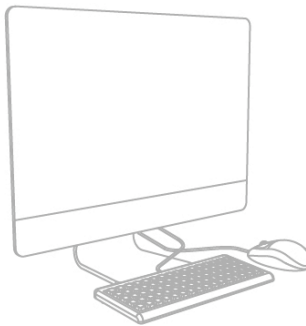


Fig 10 - Personal Computer



The PC must be compliant to the norm IEC 60950-1 Information technology equipment - Safety - Part 1: General requirements.

If the PC is installed in the patient area it is necessary to install an insulating transformer compliant with the directive IEC 60601-1:2005 + A1:2012- "Medical electrical equipment - Part 1: General requirements for basic safety and essential performance".

It is possible to connect other accessories to the PC (printer, modem, scanner, etc) through the analogical or digital interfaces.

The accessories (printer, modem, scanner, etc) must be installed outside the patient area.





The accessories must be compliant to the norm IEC 60950-1 Information technology equipment - Safety - Part 1: General requirements.

If the accessories are installed in the patient area it is necessary to install an insulating transformer compliant with the directive IEC 60601-1:2005 + A1:2102 - "Medical electrical equipment - Part 1: General requirements for basic safety and essential performance".

### 3.2 TECHNICAL DATA

Technical data	Value
Data transfer	USB 3.0
Mains power	External power supply 24 VCC. In: 100-240Vac - 50/60Hz - 2A - Out: 24Vdc - 100W
Net cable	with C14 socket
Dimensions (Height x Length x Depth)	505 x 315 x 251 mm
Weight	10.4 kg
Chin rest stroke	70 mm $\pm$ 1
Minimum height of the chin cup from the working plan	23 cm
Base movement (x, y, z)	105 x 110 x 30 mm
Working distance	74 mm

#### Light sources

Technical data	Value
Placido	Led @635 nm
OCT	SLed @845 nm
Pupillography	Led @950 nm

### Topography

Technical data	Value
Placido's Disk	22
Measured points	31232 (anterior surface) 25600 (posterior surface)
Topographic covering	10 mm
Dioptic range	from 1D to 100D
Accuracy	Class A according to UNI EN ISO 19980-2012

### Section

Technical data	Value
Image field	16 mm x 8 mm
Axial resolution	3.6 $\mu\text{m}$ (in tissue)
Transverse resolution	35 $\mu\text{m}$ (in air)
Image(s) resolution	Keratotomy (640x480) + 25 radial scans over transverse field of 16 mm (1024 A-scan) - Section: over 16 mm (1600 A-scan) over 8 mm (800 A-scan)

## 4 DEVICE USE

### 4.1 HOW TO INSTALL THE DEVICE



#### CAUTION

**Danger of device falling down. The table must be installed on a horizontal and stable surface.**

- 1 Place the ophthalmic table in the room. The table must be lifted by two people.
- 2 If present, block the table wheels. Lower the lever of the brake.
- 3 Place the power supply under the support plane. Screw the screws in the four holes.

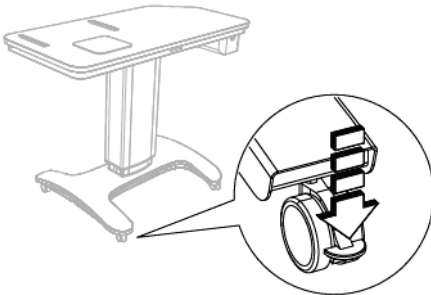


Fig 11 - Table placement

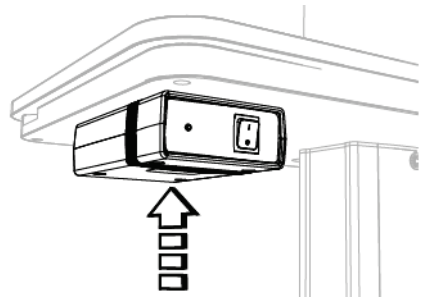


Fig 12 - Power supply unit placement

- 4 Verify the sticker position respectively to the central axis (A).
- 5 Remove the protection film. Place the sticker pad between the two cogged wheels and the scrolling plate.



Respect the indicated distances while placing the sticker pad (for right/left identification) on the table top.

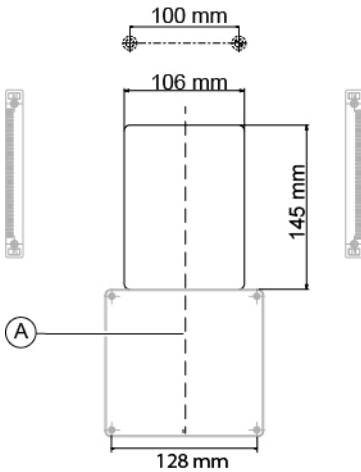


Fig 13 – Distances

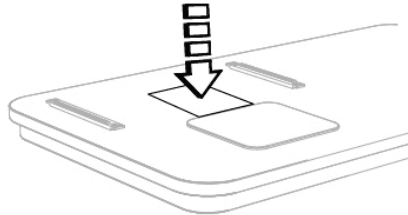


Fig 14– How to place the sticker pad

- 6 Remove the joystick protection (A) placed under the device base.

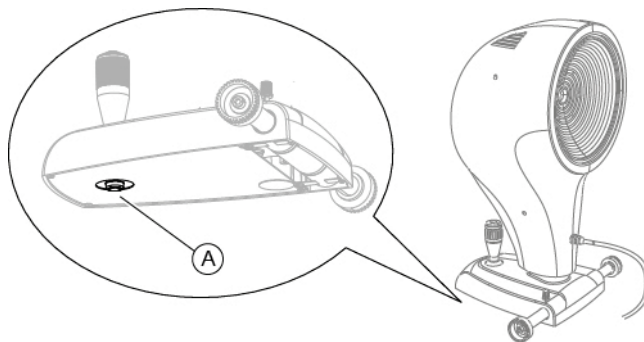


Fig 15 – Protection removal

- 7 Place the device on the support plane and align the cogged wheels on the cogged guides.
- 8 Block the two protection carters to the cogged wheels on the support plane.

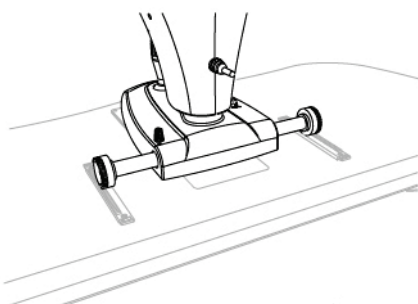


Fig 16 - Placing the device

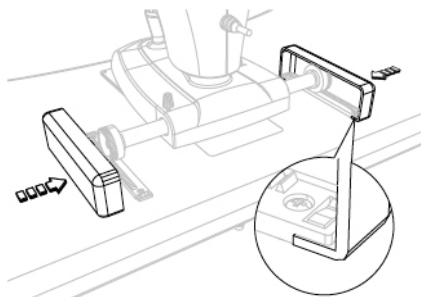


Fig 17 - Placing protection carters

- 9 Install the chin rest. Under the support plane, there are two screws to block the chin rest support to the support plane.

- 10 Carry out the electrical connection between the several components.

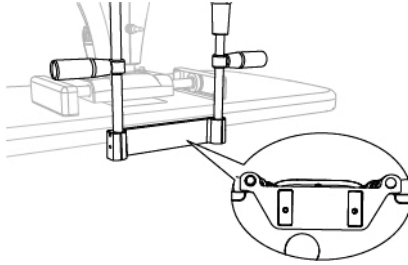


Fig 18 - Placing the chin rest

## 4.2 HOW TO CONNECT THE DEVICE

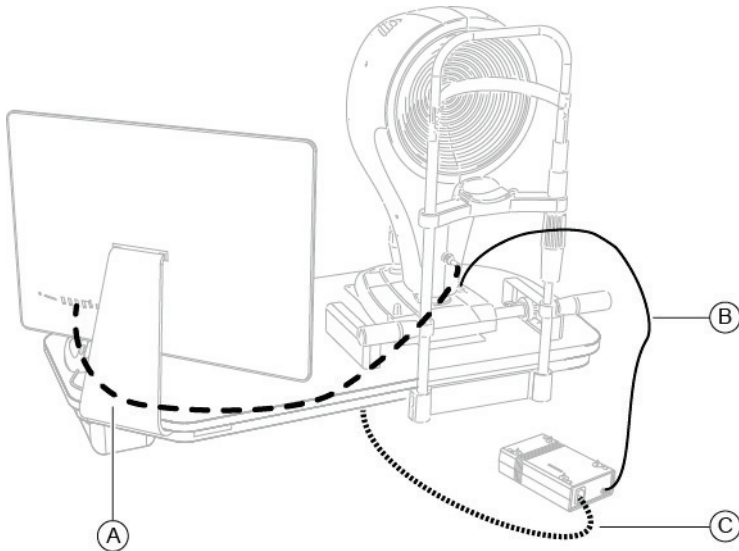


Fig 19 - Device connection

### Pos Denomination

- A** USB connection cable between device and PC
- B** Power cable for the connection between the power supply and the device
- C** Power cable for the connection of the electric table with the power supply



To power the table basement, read instructions for use of the table or of the ophthalmic unit.

#### 4.3 HOW TO PLACE ELECTRIC CABLES

**CAUTION**

Danger of device falling down. Do not leave free cables which can represent an obstacle or a danger for the patient or the operator.

**CAUTION**

Danger of stumbling and falling. Do not let the power cord or the connection cables free in a place where people could walk.

**CAUTION**

Electric shock risk. Do not leave the power supply cables in contact with sharp corners or objects. Collect and attach always the power supply cables.



It is forbidden to use any extension cable not authorized by the manufacturer.



For the proper placement of electrical cables and connection to the elevation column, read instructions for use of ophthalmic tables or of ophthalmic units. The instruction manual can also be downloaded from the website [www.csoitalia.it](http://www.csoitalia.it).



The power socket is on the lower part of the column of the ophthalmic table and it has to be used for the connection with the mains power. One of the power sockets on the upper part of the elevation column is dedicated to the device power supply unit.



## 4.4 HOW TO TURN ON THE DEVICE

- 1 Turn on the PC.
- 2 Push the activation switch of the power supply on ON.
- 3 Launch the application software Phoenix.
- 4 Wait until the main screen of the application software is shown.



Read the instructions for use before using the application software. The instruction manual can also be downloaded from the website [www.csitalia.it](http://www.csitalia.it) or you can read the application software guide.

- 5 Click on NEW PATIENT and enter his personal data. If the patient is already present in the database, you can automatically search the surname in the surname command line.
- 6 A new examination will be created automatically.
- 7 Select the device to use.
- 8 The image capture screen will open. Now it will be possible to capture the image.

### Creation of a new exam

- Click on the button NEW EXAMINATION.
- Select the tool to be used.
- The image capture screen will open. Now it will be possible to capture the image.

## 4.5 HOW TO ADJUST THE CHIN REST

- 1 Inform the patient to take a seat.
- 2 Ask the patient to put the chin on the chin cup and the forehead against the forehead rest.
- 3 Verify the correct eyes position respectively to the shooting channel.

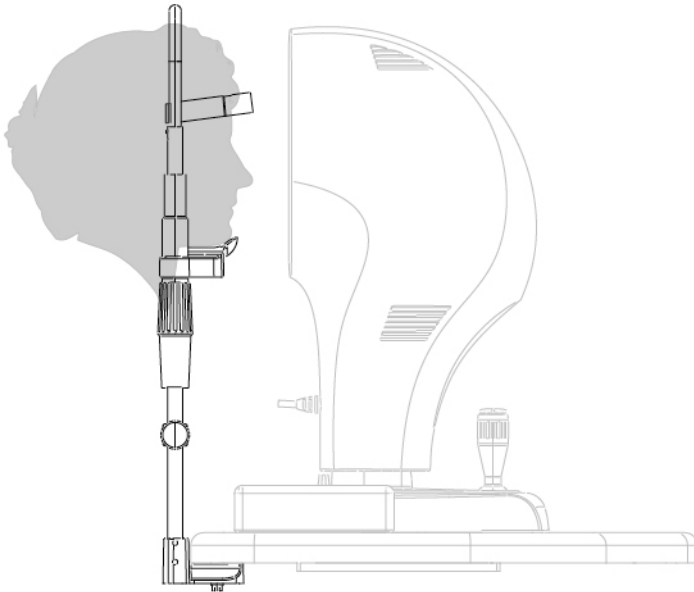


Fig 20 - Patient position on the chin rest

- 4 Lift or lower the chin cup as needed.

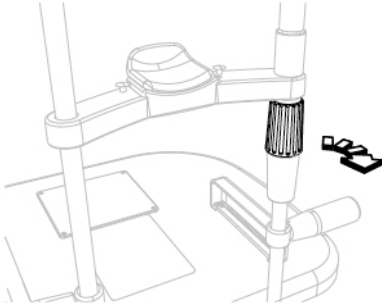


Fig 21 - Knob rotation

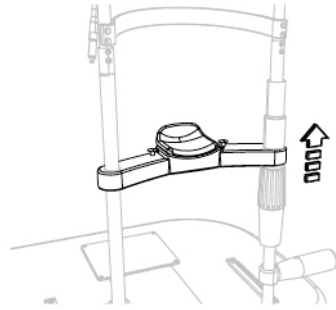


Fig 22 - Placing the chin cup

## 4.6 HOW TO CAPTURE THE IMAGE

- 1 Turn the joystick and align the device with the patient's eye.
- 2 Move towards the eye with the tool. Keep centred the reflection of the corneal vertex in both the images.
- 3 Perform some micro movements with the joystick to obtain the best image alignment.

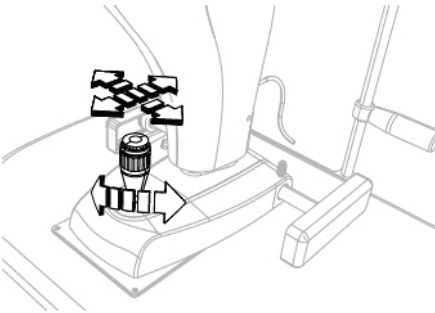


Fig 23 - Placing the device

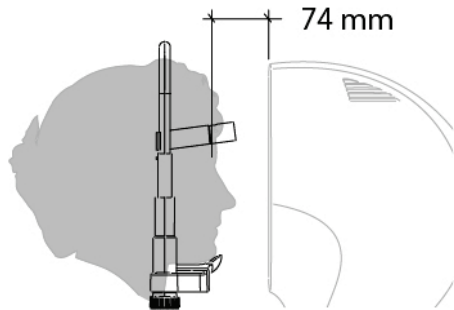


Fig 24 - Distance from the patient

- 4 Push down the joystick to confirm and capture the image. The image will be saved in the gallery.
- 5 Double click on the captured image to process and visualize on the computer screen.

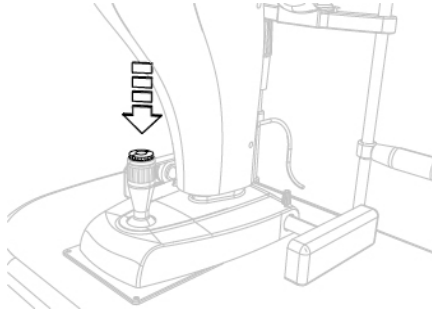


Fig 25 - Image acquisition



Refer to the application software instructions for the image managing in the database.

## 4.7 HOW TO CHANGE THE CHIN CUP PAPERS



At the end of each exam remove the paper for chin cup in order to always have a new and hygienic one for the next patient.

This device is provided with a package of paper for chin cup. When you use the last paper change the package.

- 1 Extract the two plastic rivets
- 2 Place the new package of paper for chin cup
- 3 Insert the plastic rivets in the holes of the package and in the holes of the chin cup.

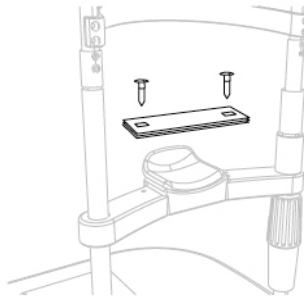


Fig 26 - How to change the chin cup papers



To order a spare part read the code in the **“Spare parts list at page 47”**

## 4.8 HOW TO TURN OFF THE DEVICE



### CAUTION

Do not turn off the computer and do not disconnect the connection cable between the computer and the device when the program is in use.

- 1 Immobilize the device. Turn the locking knob.
- 2 Launch the application software Phoenix. Turn off the computer
- 3 Push the activation switch of the power supply on OFF.
- 4 Place the protective cover on the device to prevent dust to fall on the device.

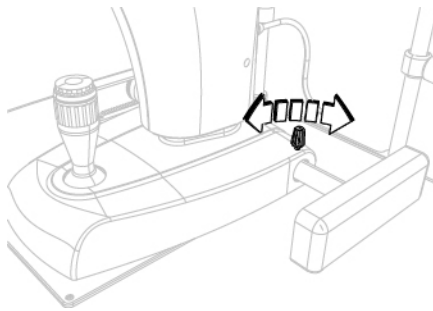


Fig 27 - Device blocking

## 5 ORDINARY MAINTENANCE

### 5.1 SAFETY WARNINGS



#### DANGER

Electric shock danger. Unplug the power cable from the mains socket before disinfecting the device and before any maintenance operation.



#### CAUTION

The device does not contain any piece that requires the user's intervention. Do not dismantle any part of the device.



it is forbidden to carry out any maintenance operation on the device that is not recalled in instructions for use.



In case of operational faults or malfunctions or for every operation not mentioned in the instructions for use, there is the obligation to address an authorized technical assistance centre of the device Manufacturer.

### 5.2 DEVICE CLEANING

Clean the external parts of the device using a damp non-abrasive cloth to avoid damaging the material.



#### CAUTION

Danger of material damages. Do not use solvents or diluent to clean the device.



### 5.3 SPARE PARTS AND ACCESSORIES LIST

Code	Description
30010071D3F	Power supply cable
10101300	Insulating transformer 230V/230V. Power supply cable 800 VA (maximum load)
4014020	Package of paper for chin cup (50 pieces)
4013090	Protective cover
10070524	Table top 45x90 mm
103301800	Electric support plane with one column (230 V, 50 Hz)
103106H00	Mobile multivoltage table (100-240V 50-60Hz) with double column for support plane for OCT instrument and PC screen
33071095	Power supply cable for electric support (95 cm)
103103900	PSP2402 input 100-240 V AC 50/60 Hz max 0,9 A output 24 VDC 2 A
300409135	Power supply cable 1.5 m
300409136	Power supply cable 5 m
103106200	Calibration set for corneal maps
100104700	Chin rest for the table top
3020150	USB 3.0 cable 5 m



For spare parts or accessories not included in the list, ask the Manufacturer or the local Dealer.

## 5.4 TROUBLESHOOTING

Inconvenient	Cause	Solution	Note
<b>The device does not switch ON</b>	Power cable not connected with the power supply	Connect the power cable of the device to the power supply Press the ON/OFF button on the device.	If the device is powered through the auxiliary power supply of the table, check the connection of the table to the power line. Check the functioning of the table fuses.
<b>The PC does not start</b>	Power cable not connected with the power supply	Connect the power cable to the power supply. Push the button of the power supply on ON. Replace the PC.	Make sure the power outlet of the room works properly.
<b>PC Operating system does not start</b>	Hard Disk failure. Spoiled operating system.	Replace the Hard Disk. Reinstall the operating system. Replace the PC	Make sure the New PC features are equivalent to those required by the device.

Inconvenient	Cause	Solution	Note
<b>The application software Phoenix does not start</b>	<p>Hard Disk failure.</p> <p>The antivirus software impedes the starting of the application software Phoenix.</p> <p>Spoiled operating system</p> <p>The application software Phoenix does not work properly.</p>	<p>Replace the Hard Disk. Check the settings of the antivirus software.</p> <p>Reinstall the operating system.</p> <p>Reinstall the application software Phoenix.</p>	<p>Contact the Technical Service Centre. The installation of the application software Phoenix needs the administrator privileges.</p>
<b>The application software Phoenix does not work properly.</b>	<p>The connection cable between device and PC does not work properly. The antivirus software interferes with the drivers of the application software Phoenix.</p> <p>The application software Phoenix is installed as local user</p>	<p>Unplug and plug in again the connection cable between device and PC. Replace the connection cable between device and PC.</p> <p>Uninstall the antivirus software.</p> <p>Reinstall the application software Phoenix with administrator privileges.</p>	<p>The installation of the application software Phoenix needs the administrator privileges.</p>

Inconvenient	Cause	Solution	Note
<b>The mouse of the PC does not work</b>	<p>Connection cable with the PC disconnected.</p> <p>Mouse switch in position OFF. The mouse batteries are down (only for wireless mouse)</p>	<p>Check that the mouse connection cable properly fit in USB port. Switch the mouse button in position ON.</p> <p>Replace mouse batteries (only for wireless mouse).</p>	<p>From the control panel of the PC, check that there are no devices conflicts.</p>
<b>The keyboard of the PC does not work</b>	<p>Connection cable with the PC disconnected.</p> <p>Keyboard switch in position OFF. The keyboard batteries are down (only for wireless keyboard)</p>	<p>Check that the keyboard connection cable properly fit in USB port. Switch the keyboard button in position ON.</p> <p>Replace keyboard batteries (only for wireless keyboard).</p>	<p>From the control panel of the PC, check that there are no devices conflicts.</p>

Inconvenient	Cause	Solution	Note
<b>The images can't be saved in the database</b>	The database is not connected with the application software Phoenix. Power connection absent. The USB cable does not work	Verify that in the configuration screen of the database is specified the correct path to the "phoenix.mdb" file. Restore the connection to the database file. Check the functioning of the net connection. Replace the USB cable.	Regularly verify the connections with the data net.
<b>Failed image capture</b>	The patient moved or closed the eyes during the capture	Ask the patient to keep the eyes open, look the fixation light and not to move the eyes.	
<b>Poor image quality from Placido's disk</b>	The tear film is not well distributed on the cornea surface (dry eye)	Ask the patient to close and open the eyes.	
<b>Failed image focus from Placido's disk</b>	Presence of dust or grease on the optical parts of the device.	Clean the surface of optical parts with a soft cloth.	Make sure the patient does not touch the optical parts.

Inconvenient	Cause	Solution	Note
<b>Missing acknowledgment of eye position left / right position by the device</b>	Missing installation of black sticker below the base of the device. Fault of positioning detector.	Install the black sticker below the base of the device.	Some colours and material of the table top may not reflect the infrared light. Move a white paper below the base of the device to check the functioning of the positioning detector.
<b>Device movement difficulties (ahead, back, left, right)</b>	The joystick plastic protection has not been removed from the base during the installation. Device blocking knob is fastened	Remove the joystick plastic protection from the base. Loosen the device blocking knob.	Before starting the exam check that the device blocking knob is loosened.





COSTRUZIONE STRUMENTI OFTALMICI

Via degli Stagnacci 12/E | 50018 Scandicci (FI) | ITALY  
phone: +39 055 722191 | fax: +39 055 721557

[cso@csoitalia.it](mailto:cso@csoitalia.it) | [www.csoitalia.it](http://www.csoitalia.it)